

Doctoral Marshal #17

- I. **Check-in (11:00 a.m. – 11:55 a.m.):** Check-in at the Touchdown Terrace and enjoy the brunch. Pick up your gold baton at the commencement table as you enter. (You'll return it to the Terrace following the ceremony – see Recessional instructions.) After brunch proceed to the north lineup area on the Outdoor Practice Field, arriving by 12:30 p.m. Go to your lineup position in the doctoral section (see Faculty Lineup Chart NE). Assign students a line in which to march. Each line should contain the same number of candidates. Candidates must stay in their assigned lines. Candidates wishing to sit together should be grouped in the *same line* (not next to each other in different lines).

- II. **Procession:** Candidate marshals will march directly in front of you. When you enter the stadium try to remain even with the doctoral group entering on the opposite side of the stadium. Follow the line of march shown on the diagram (page 2, dashed green line). When you reach position #17 you will begin seating candidates in the *odd-labeled* rows, 22 per row, beginning in doctoral section #1. (Exception: Seat only 19 candidates in the first row of the doctoral and first row of the master's sections, leaving the end seats open.) You will work together with a seating marshal. If you run out of seats, direct students laterally to available seats in their degree section. You will move slowly toward the back of the stadium, seating candidates. After all candidates are seated and the President's and Deans' Parties have cleared the center aisle, walk forward to your seat at #17 (see diagram, page 2).

- III. **Doctoral march to the stage:** When the President asks doctoral candidates to come forward, go to "c." (This is essentially in the same place as position #17.) As candidates leave their seats, direct them towards the marshals who will be standing at "a." (See diagram on page 3 for details.) Doctoral marshal #16 will assist you. After the doctoral march, you may be seated.

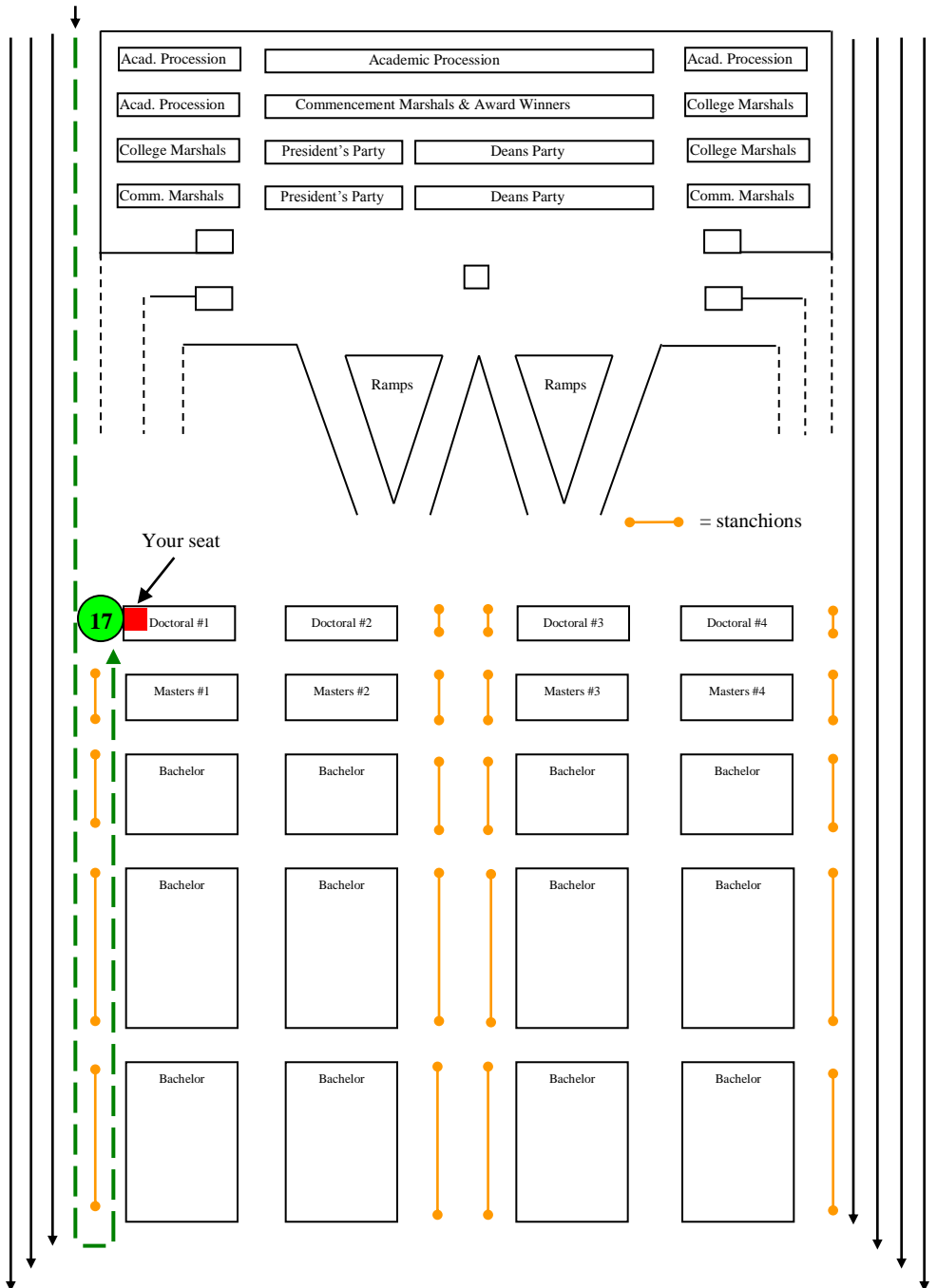
- IV. **Master's march to the stage:** When these candidates begin their march, go to "c" again and direct candidates toward "a." (See diagram on page 3.) After the master's march, you may be seated.

- V. **Bachelor march to the stage:** You will again go to "c" and direct candidates toward "a." (See diagram, page 4.) When all candidates have marched to the stage, return to your seat.

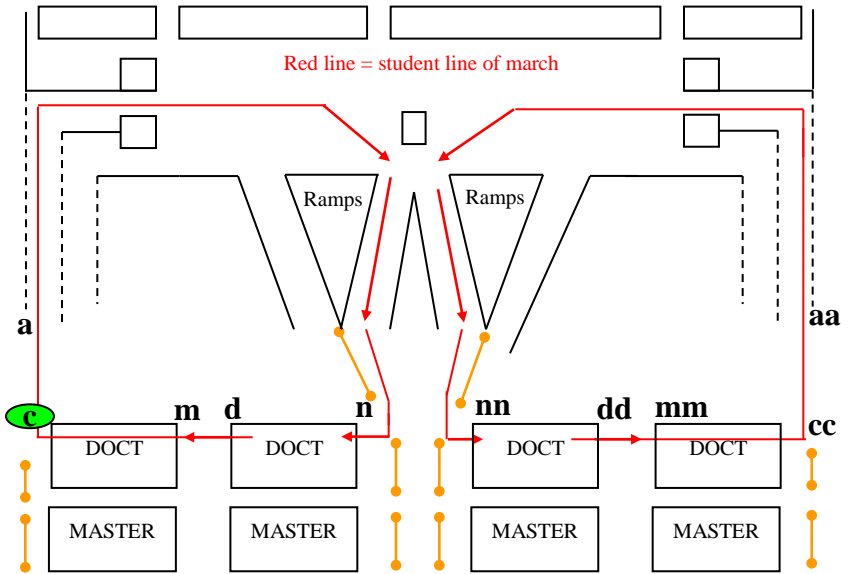
- VI. **Recessional:** Encourage students to remain in their seats until the President's and Deans' Parties have cleared the center aisle. When the last faculty members have left the stage, follow them out of the stadium and proceed to the Touchdown Terrace, where Office of Ceremonies staff will take your baton.

Processional Positions

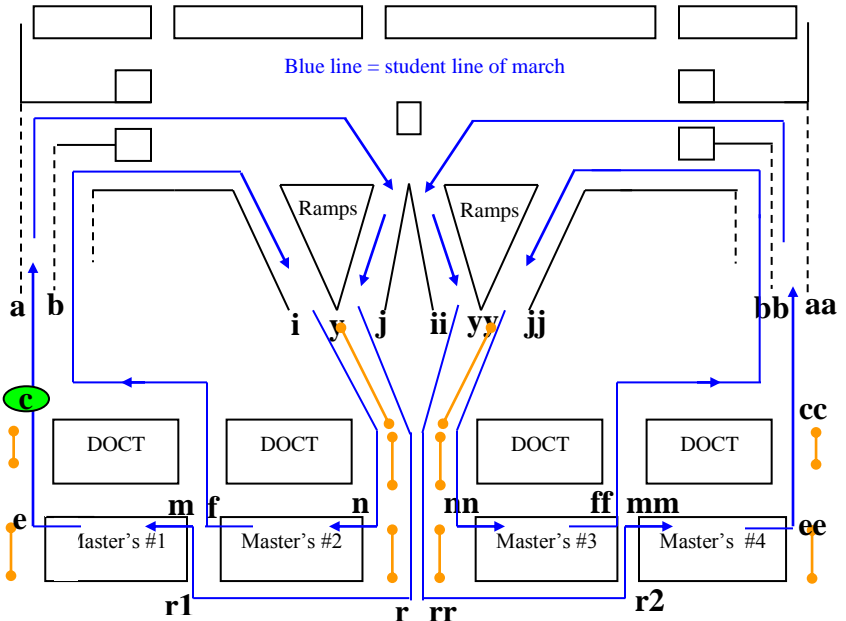
Your processional
line of march



DOCTORAL MARCH DIAGRAM



MASTER'S MARCH DIAGRAM



BACHELOR MARCH

