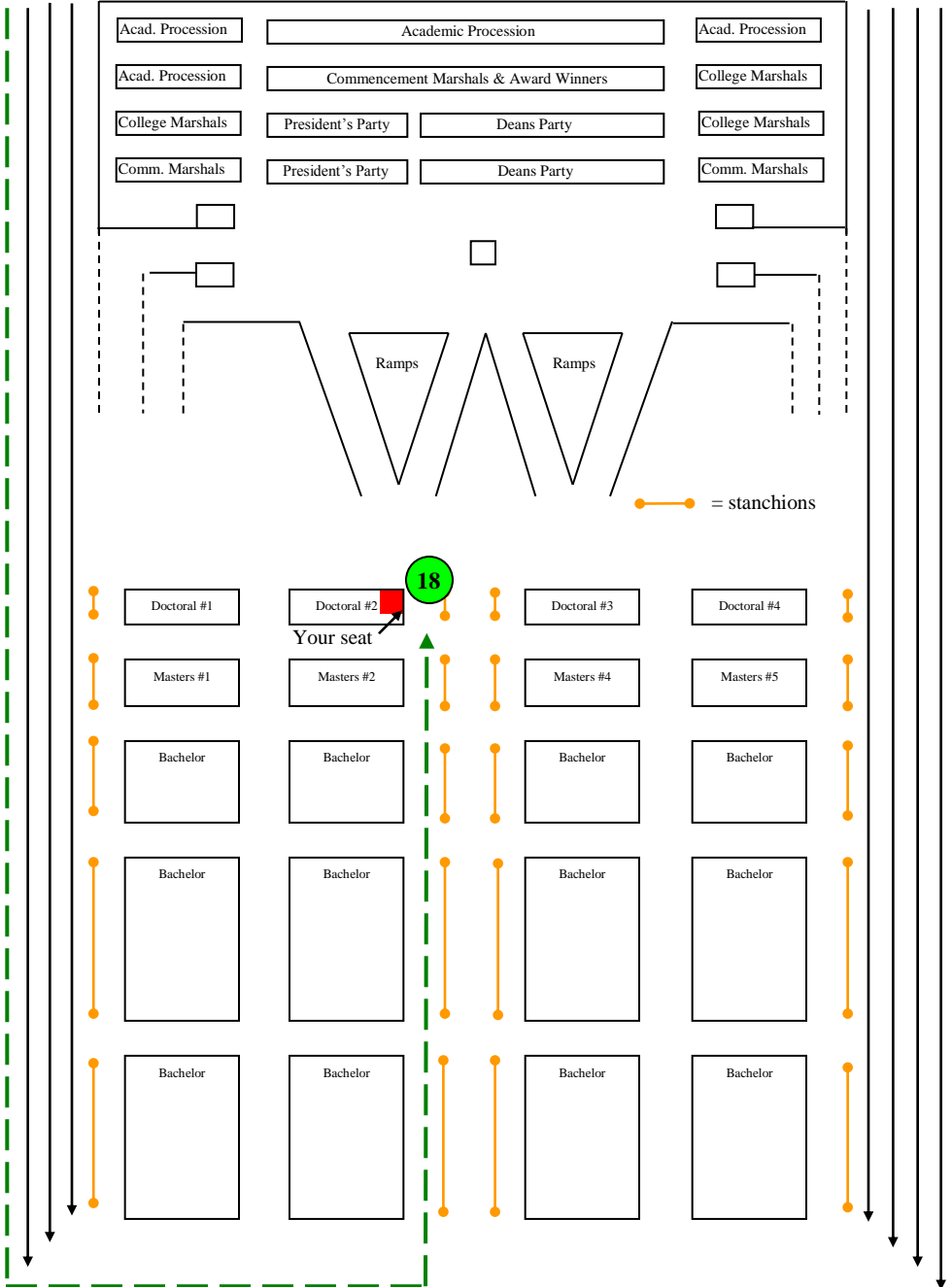


Doctoral Marshal #18

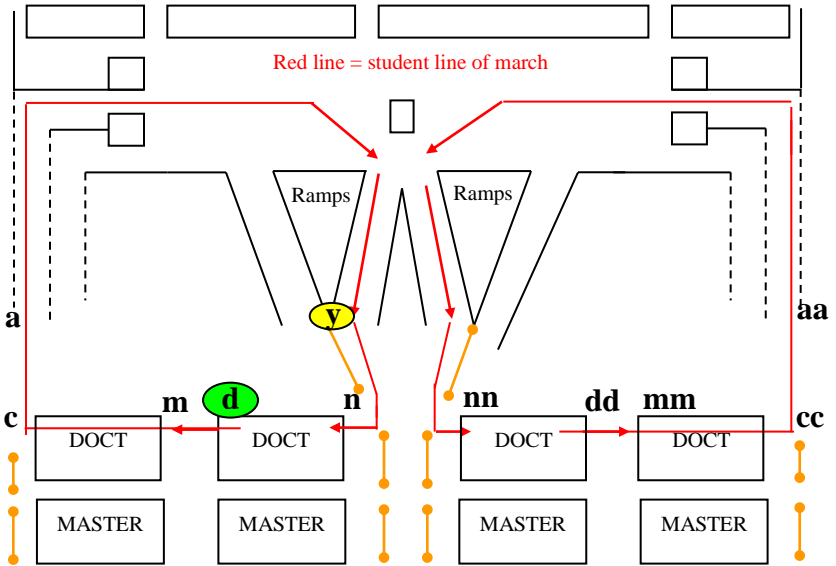
- I. **Check-in (11:00 a.m. – 11:55 a.m.):** Check-in at the Touchdown Terrace and enjoy the brunch. Pick up your gold baton at the commencement table as you enter. (You'll return it to the Terrace following the ceremony – see Recessional instructions.) After brunch proceed to the north lineup area on the Outdoor Practice Field, arriving by 12:30 p.m. Go to your lineup position in the doctoral section (see Faculty Lineup Chart NE). Assign students a line in which to march. Each line should contain the same number of candidates. Candidates must stay in their assigned lines. Candidates wishing to sit together should be grouped in the *same line* (not next to each other in different lines).
- II. **Procession:** Follow the marshals directly in front of you. When you enter the stadium try to remain even with the doctoral group entering on the opposite side of the stadium. Follow the line of march shown on the diagram (page 2, dashed green line). When you reach position #18 you will begin seating candidates (first doctoral #2, then master's #2 and bachelor), 22 per row, in the *even-labeled* rows. You will work together with a seating marshal. If you run out of seats, direct students laterally to available seats in their degree section. You will move slowly toward the back of the stadium, seating candidates. After all candidates are seated and the President's and Deans' Parties have cleared the center aisle, walk forward to your seat at #18 (see diagram, page 2).
- III. **Doctoral march to the stage:** When the President asks doctoral candidates to come forward, go to "d." As candidates leave their seats, direct them across the quarter aisle toward the marshals at "c." (See diagram on page 3 for details.) Doctoral marshal #19 will assist you. When candidates begin exiting the stage move to "y" and ensure the stanchions from the ramp are properly positioned (see diagram, p. 3) and direct candidates back to the marshals who are seating them at "n." (See diagram, page 3) Marshal 19 will remain at d. After the doctoral march, you may be seated.
- IV. **Master's march to the stage:** When these candidates begin their march, go to "y." (See diagram on page 3 for details.) Ensure the stanchions are properly repositioned for the master's march (i.e., connected to the aisle stanchions - see diagram, p. 3) and direct candidates to stay in their lines. After the master's march, you may be seated.
- V. **Bachelor march to the stage:** Return to "y." (See diagram, page 4.) The stanchion position for master's and bachelor marches is the same. Encourage candidates to remain in their proper lines. When candidates have left the stage, return to your seat.
- VI. **Recessional:** Encourage students to remain in their seats until the President's and Deans' Parties have cleared the center aisle. When the last faculty members have left the stage, follow them out of the stadium and proceed to the Touchdown Terrace, where Office of Ceremonies staff will take your baton.

Processional Diagram

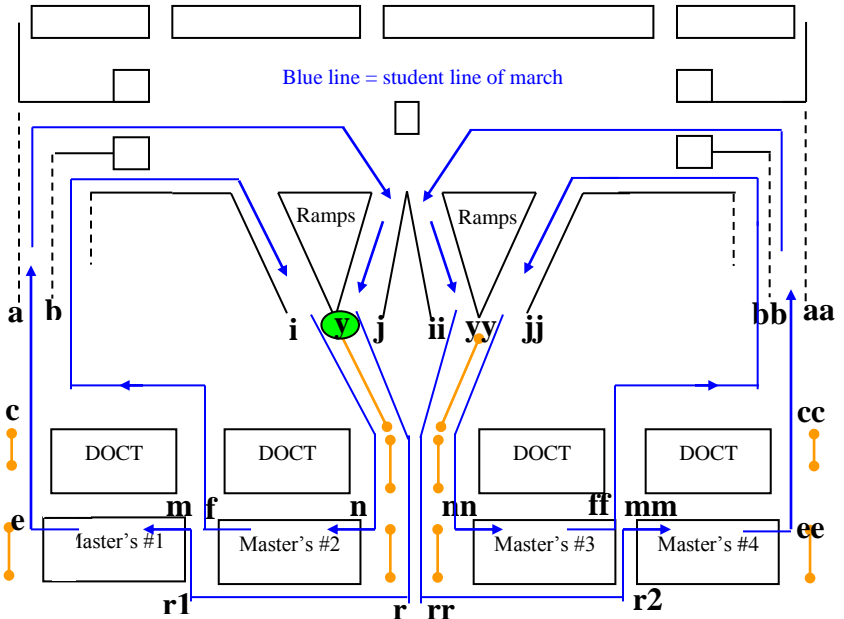
Your processional
line of march



DOCTORAL MARCH DIAGRAM



MASTER'S MARCH DIAGRAM



BACHELOR MARCH

