

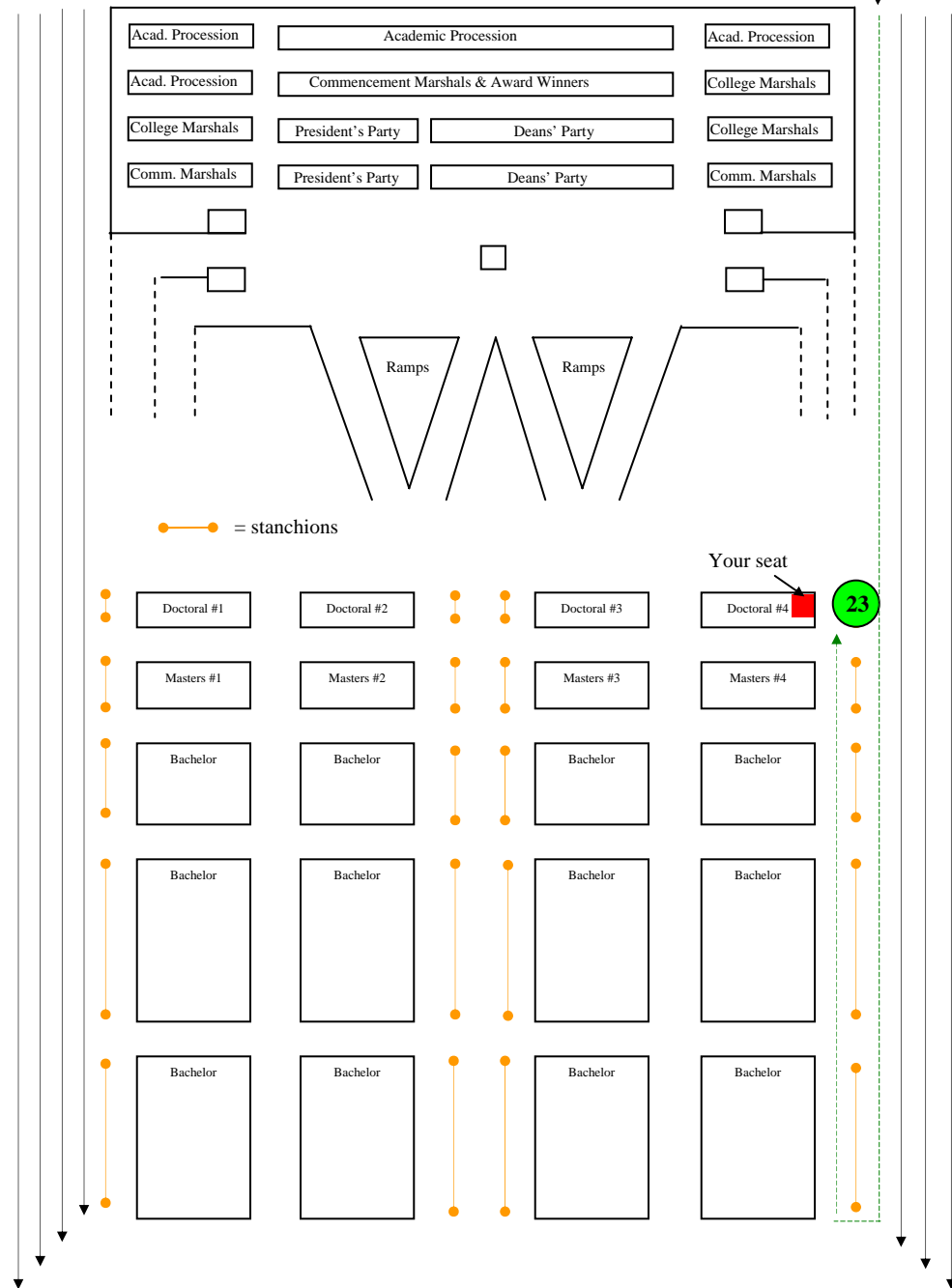
Doctoral Marshal #23

- I. **Line up (12:00 p.m.):** Go through the faculty security check-in at the Outdoor Practice Field east of the stadium. Pick up your gold baton at the commencement table as you enter. (After the ceremony, commencement personnel will meet you at the back of the student seating section, as you are recessing, to take your baton.) Refer to the wall chart near the entrance for your line-up position and go to that position. Assign students a line in which to march. Each line should contain the same number of candidates. Candidates must stay in their assigned lines. Candidates wishing to sit together should be grouped in the *same line* (not next to each other in different lines).
- II. **Procession:** Candidate marshals will march directly in front of you. When you enter the stadium try to remain even with the doctoral group entering on the opposite side of the stadium. Follow the line of march shown on the diagram (page 2, dotted green line). When you reach position #23, you will begin seating candidates in the *odd-labeled* rows, 21 per row, beginning in doctoral section #4. (Exception: Seat only 19 candidates in the first row of the Doctoral and first row of the Master's sections, leaving the end seats open.) You will work together with a seating marshal. If you run out of seats, direct students laterally to available seats in their degree section. You will move slowly toward the back of the stadium, seating candidates. After all candidates are seated and the President's and Deans' Parties have cleared the center aisle, walk forward to your seat at #23 (see diagram, page 2).
- III. **Doctoral march to the stage:** When the President asks doctoral candidates to come forward, go to "cc." (This is essentially in the same place as position #23) As candidates leave their seats direct them towards the marshals who will be standing at "aa." (See diagram on page 3.) Doctoral marshal #22 will assist you. After the doctoral march, you may be seated.
- IV. **Master's march to the stage:** When these candidates begin their march, go to "cc" again and direct candidates to "aa." (See diagram on page 3.) After the master's march, you may be seated.
- V. **Bachelor march to the stage:** You will again go to "cc" and direct candidates to "aa" (see diagram, page 4). When all the candidates have marched to the stage, return to your seat.
- VI. **Recessional:** Encourage students to remain in their seats until the President's and Deans' Parties have cleared the center aisle. You may join the faculty recessional as they pass you. Upon reaching the back of the stadium you may disperse with the rest of the faculty or exit via the tunnel to the faculty dressing room.

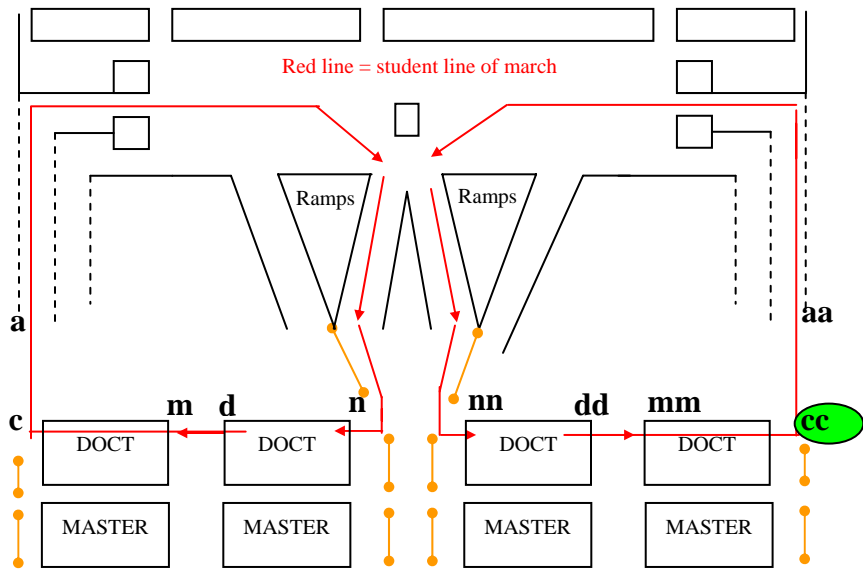
Doctoral Marshal #23

Processional and Recessional Positions

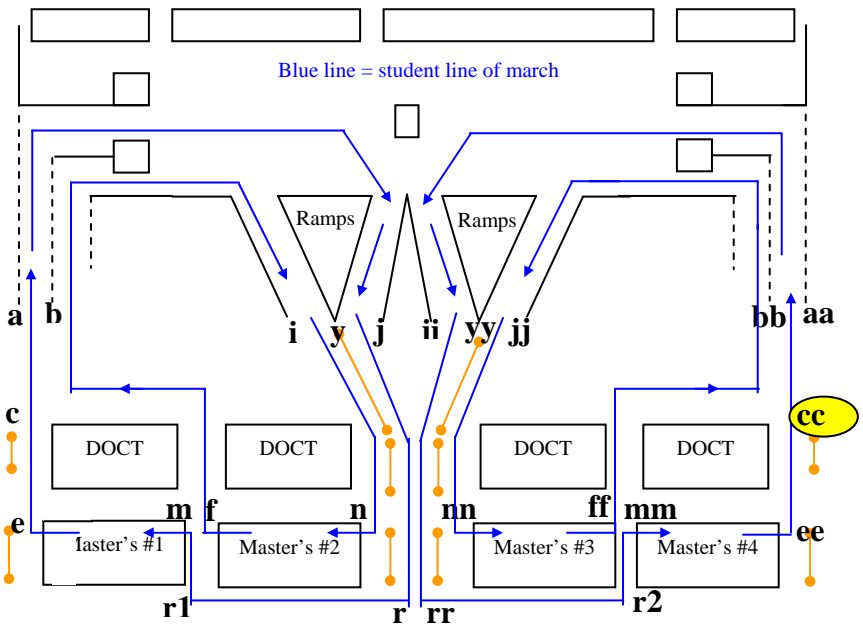
Your processional line of march



DOCTORAL MARCH DIAGRAM



MASTER'S MARCH DIAGRAM



BACHELOR MARCH

