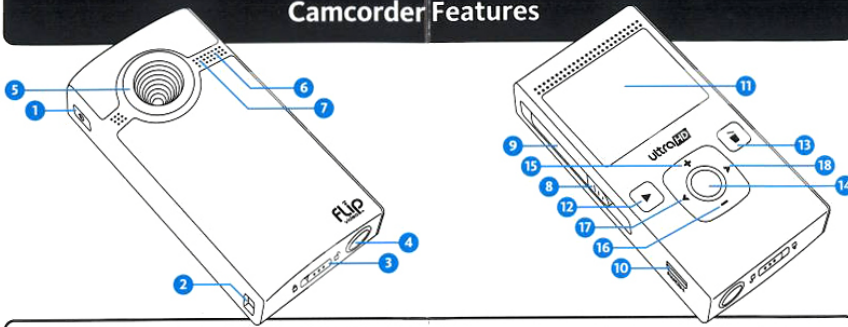


Flip Video Camera QuickStart Guide

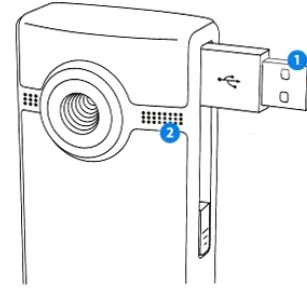
Camcorder Features



1 Power Switch	Press to turn on/off.
2 Wrist Strap Hook	Attach wrist strap, included in package.
3 Battery Latch	Slide to lock/unlock.
4 Tripod Mount	Attach a tripod or other Flip Video accessory. Learn more at www.theflip.com/accessories .
5 Lens	Wipe clean with a soft, dry cloth.
6 Recording Light	Red light turns on during recording or charging.
7 Microphone	Built-in wide-range microphone.
8 USB Latch	Slide down to release USB arm.
9 USB Arm	If space does not permit proper connection, use a USB "A" type extension cable.
10 HDMI™ Mini Port	Connect HDMI™ cable accessory to your HDTV. Learn more at www.theflip.com/accessories .
11 Screen	Recording viewfinder/playback screen.
12 Play Button	▶ Press to play/pause. Press and hold to play all.
13 Delete Button	⏏ Press to delete. Press and hold to lock/unlock the delete button.
14 Record Button	● Press and release to start/stop recording. During Power On: Hold to return to camcorder setup.
15 Up Button	⬆ While Recording: Press to zoom in. During Playback: Press to increase volume.
16 Down Button	⬆ While Recording: Press to zoom out. During Playback: Press to decrease volume.
17 Left Button	◀ While Paused: Press to skip to previous video. During Playback: Press and hold to rewind.
18 Right Button	▶ While Paused: Press to skip to next video. During Playback: Press and hold to fast-forward.

Recharge Battery Pack

- 1 Connect USB arm to computer's USB port.
- 2 Recording light turns on to indicate charging. When charged, the recording light turns off.



- Recharging a discharged Ultra battery pack takes about 6 hours. The optional Flip Video Power Adapter charges the battery pack in about 3.5 hours.
- The battery pack can only be charged within your Ultra 2nd generation camcorder, and it is the only battery that UltraHD is able to charge.
- The camcorder may remain connected to your computer after it is fully charged, but disconnecting it will help preserve the battery pack's lifespan and performance.

Note: Your computer must be powered on for UltraHD to charge.

Record and Play

Recording Videos

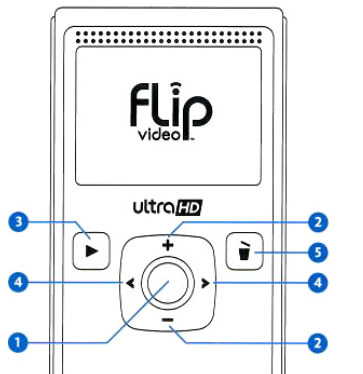
- 1 Press record button to start/stop. ●
- 2 Press up/down buttons to zoom in/out. + -

Playing Videos

- 3 Press play button to start/pause. ▶
 - 4 Press left/right buttons to view previous/next. ◀ ▶
- Tip: Hold left/right buttons during playback to rewind/fast-forward.

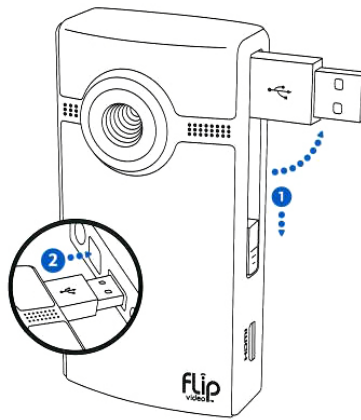
Deleting Videos

- 5 Press delete button. ⏏ Select YES to confirm.
- Tip: Delete button is locked when you first power on. To unlock, press and hold delete button.



Connect to Computer

- 1 Slide USB latch down. USB arm flips up automatically.
- 2 Plug arm into USB port on computer.
- 3 Your camcorder will begin recharging the battery pack and you can install FlipShare™ software on your computer.



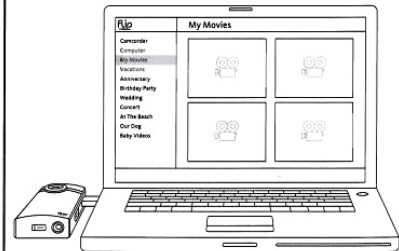
Save, Edit, and Share

FlipShare™

FlipShare is built-in software that makes organizing, editing, and sharing video incredibly simple. When you plug in your camcorder, open FLIPVIDEO and launch Setup FlipShare (PC) or Start FlipShare (Mac).

FlipShare Features

- Browse, play, and delete your videos
- Save your videos to your computer
- Make custom movies with music
- Snap photos from your videos
- Share your videos online or by email
- Upload to MySpace™, YouTube™, and others



Click HELP inside FlipShare for detailed instructions on all features.