

National Chain of Command

Commander in Chief President Joseph Biden
Secretary of Defense Hon. Lloyd J. Austin III
Secretary of the Navy Hon. Carlos Del Toro
CJCS Gen. Mark A. Milley

Navy:
CNO ADM Lisa Franchetti
MCPON MCPON James Honea
Commander, NETC RADM Jeffrey Czerewko
Commander, NSTC CAPT Craig T Mattingly

Marine Corps:
Commandant Gen. Eric Smith
SMMC SMMC Carlos A. Ruiz

NROTC Unit Staff

Commanding Officer CAPT Allen Adkins (he/him)
Executive Officer CDR Bog Slade (he/him)
Marine Officer Instructor Capt. Elizabeth Schilder (she/her)
Advisor LT Ryan Kraner (he/him)
Advisor LT Joshua Lanzona (he/him)
Advisor LT Morgan Bingle (he/him)
AMOI GySgt Brandon Hendrix (he/him)
Program Coordinator Mr. J-P Mickle (he/him)
Supply Officer Mr. David Patton (he/him)
Admin Officer Mr. Ed Herrera (he/him)

2023 Battalion Staff

Commanding Officer MIDN 1/C Macazo (he/him)
Executive Officer MIDN 2/C Schreiner (he/him)
Operations Officer MIDN 2/C Yeung (he/him)
Adjutant OC Carbajal (he/him)
Supply Officer MIDN 3/C Sandow (he/him)
Battalion Sergeant Major MIDN 2/C Murray (she/her)
Chief of the Boat OC Williams (he/him)

Company	Commander	1ST SGT
Poseidon	MIDN 1/C Lu (she/her)	MIDN 3/C Bailey (she/her)
Trident	MIDN 1/C Braun (she/her)	MIDN 3/C McMichael (he/him)
Bulldog	MIDN 2/C Dobbins (he/him)	MIDN 3/C Schwab (she/her)

Code of Conduct

1. I am an American, fighting in the forces which guard my country and our way of life. I am prepared to give my life in their defense.
2. I will never surrender of my own free will. If in command, I will never surrender the members of my command while they still have the means to resist.
3. If I am captured, I will continue to resist by all means available. I will make every effort to escape and aid others to escape. I will accept neither parole nor special favors from the enemy.
4. If I become a prisoner of war, I will keep faith with my fellow prisoners. I will give no information or take part in any action which might be harmful to my comrades. If I am senior, I will take command. If not, I will obey the lawful orders of those appointed over me and will back them up in every way.
5. When questioned, should I become a prisoner of war, I am required to give name, rank, social security number, and date of birth. I will evade answering further questions to the utmost of my ability. I will make no oral or written statements disloyal to my country and its allies or harmful to their cause.
6. I will never forget that I am an American, responsible for my actions, and dedicated to the principles which made my country free. I will trust in my God and in the United States of America.

Sailor's Creed

I am a United States Sailor.
I will support and defend the Constitution of the United States of America and I will obey the orders of those appointed over me.
I represent the fighting spirit of the Navy and those who have gone before me to defend freedom and democracy around the world.
I proudly serve my country's Navy combat team with Honor, Courage, and Commitment.
I am committed to excellence and the fair treatment of all.

Phonetic Alphabet

A - ALPHA	J - JULIET	S - SIERRA
B - BRAVO	K - KILO	T - TANGO
C - CHARLIE	L - LIMA	U - UNIFORM
D - DELTA	M - MIKE	V - VICTOR
E - ECHO	N - NOVEMBER	W - WHISKEY
F - FOXTROT	O - OSCAR	X - XRAY
G - GOLF	P - PAPA Y - YANKEE	
H - HOTEL	Q - QUEBEC	Z - ZULU
I - INDIA	R - ROMEO	

General Orders

1. To take charge of this post and all government property in view.
2. To walk my post in a military manner, keeping always on the alert, and observing everything that takes place within sight or hearing.
3. To report all violations of orders I am instructed to enforce.
4. To repeat all calls from posts more distant from the guardhouse than my own.
5. To quit my post only when properly relieved.
6. To receive, obey, and pass on to the sentry who relieves me, all orders from the Commanding Officer, Command Duty Officer, Officer of the Deck, and all Officers and Petty Officers of the Watch only.
7. To talk to no one except in the line of duty.
8. To give the alarm in case of fire or disorder.
9. To call the Officer of the Deck in any case not covered by instructions.
10. To salute all Officers and all Colors and standards not cased.
11. To be especially watchful at night, and, during the time for challenging, to challenge all persons on or near my post and to allow no one to pass without proper authority.

Leadership Principles

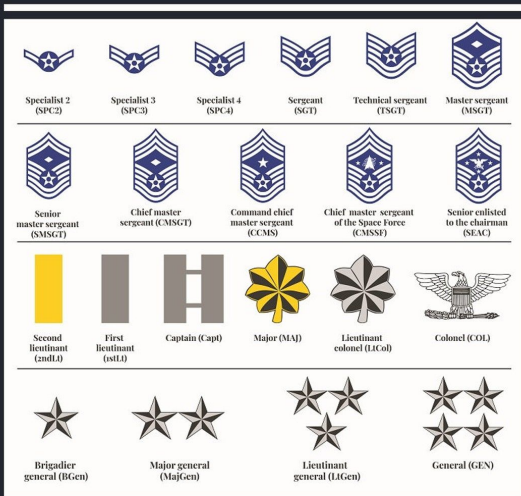
1. Know yourself and seek self-improvement.
2. Be technically and tactically proficient.
3. Know your people and look out for their welfare.
4. Keep your people well informed.
5. Set the example.
6. Ensure that the task is understood, supervised, and accomplished.
7. Train your people as a team.
8. Make sound and timely decisions.
9. Develop a sense of responsibility among your subordinates.
10. Employ your command in accordance with its capabilities.
11. Seek responsibility and take responsibility for your actions.

Enlisted Ranks of the United States Armed Forces

	U.S. Army	U.S. Navy	U.S. Marine Corps	U.S. Air Force
E-1	Private	Seaman Recruit	Private	Basic Airman
E-2	Private	Seaman Apprentice	Private First Class	Airman
E-3	Private First Class	Seaman	Lance Corporal	Airman First Class
E-4	Corporal Specialist	3rd Class Petty Off	Corporal	Senior Airman
E-5	Sergeant	2nd Class Petty Off	Sergeant	Staff Sergeant
E-6	Staff Sergeant	1st Class Petty Off	Staff Sergeant	Technical Sergeant
E-7	Sergeant First Class	Chief Petty Officer	Gunnery Sergeant	Master Sergeant First Sergeant
E-8	Master Sergeant First Sergeant	Senior Chief P.O.	Master Sergeant First Sergeant	Senior Master Sergeant First Sergeant
E-9	Sergeant Major Command Sergeant Major	Master Chief Fleet/Force/Command Master Chief P.O.	Sergeant Major Master Gunnery Sergeant	Chief Master Sergeant First Sergeant Command Chief Master Sergeant
	Sergeant Major of the Army	Master Chief Petty Officer of the Navy	Sergeant Major of the Marine Corps	Chief Master Sergeant of the Air Force



Ranks Insignia of the U.S. Space Force



USN Mission

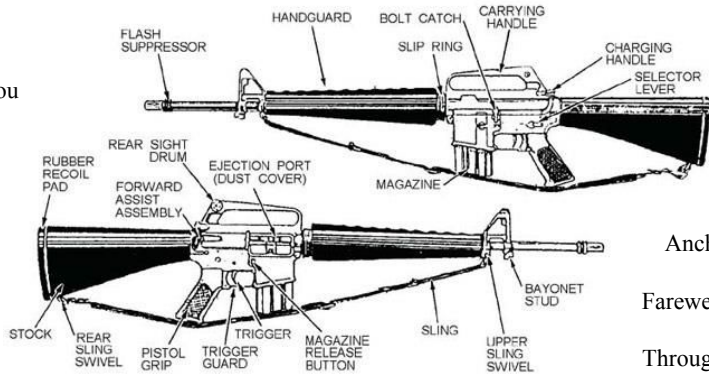
To maintain, train and equip combat-ready naval forces capable of winning wars, deterring aggression, and maintaining freedom of the seas.

Officer Ranks of the United States Armed Forces

	Insignia	U.S. Navy U.S. Coast Guard	U.S. Space Force U.S. Marine Corps U.S. Army U.S. Air Force
O-1		Ensign	Second Lieutenant
O-2		Lieutenant Junior Grade	First Lieutenant
O-3		Lieutenant	Captain
O-4		Lieutenant Commander	Major
O-5		Commander	Lieutenant Colonel
O-6		Captain	Colonel
O-7		Rear Admiral Lower Half	Brigadier General
O-8		Rear Admiral Upper Half	Major General
O-9		Vice Admiral	Lieutenant General
O-10		Admiral	General
		Admiral of the Navy (wartime only)	General of the Army / Air Force (wartime only)

Weapon Safety Rules

1. Treat every weapon as if it were loaded.
2. Never point a weapon at anything you do not intend to shoot.
3. Keep finger straight and off the trigger until you are ready to fire.
4. Keep your weapon on safe until you intend to fire



Anchor's Weigh

Anchor's Weigh, my boys, Anchor's Weigh.
Farewell to college joys, we sail at break of day-ay-ay-ay.
Through our last night on shore, drink to the foam,
Until we meet once more. Here's wishing you a happy voyage home.

Marine's Hymn

From the Halls of Montezuma to the shores of Tripoli;
We fight our country's battles in the air, on land, and sea;
First to fight for right and freedom and to keep our honor clean;
We are proud to claim the title of United States Marine.

Leadership Traits

- | | | |
|---------------|------------|---------------|
| Justice | | Bearing |
| Judgment | Tact | Unselfishness |
| | Initiative | Courage |
| Dependability | Enthusiasm | Knowledge |
| Integrity | | Loyalty |
| Decisiveness | | Endurance |